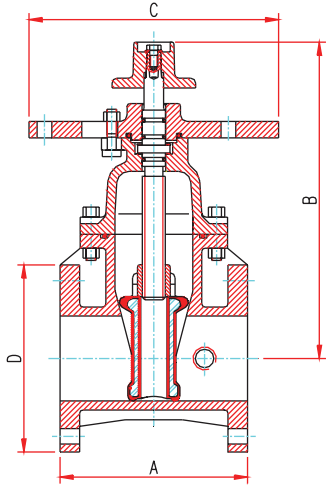


FIRE VALVES

- Design and dimensions conform to FM/UL and AWWA C509
- Specify brass or stainless steel stem when ordering
- Resilient Seated
- Fusion bonded epoxy coated interior and exterior
- Valve is rated at 200 PSI for Fire Protection Service
- Trademark - WEFLO **EVA**

■ Flange to ANSI B16.1 Class 125. Other flange drilling available

DESCRIPTION **GATE VALVE NRS** FLANGE

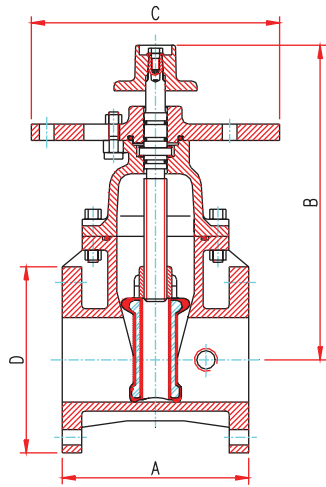


COMPONENT	MATERIAL
Body	Cast Iron ASTM A126 Class B
Wedge	Cast Iron ASTM A126 Class B, EPDM Coated
Wedge Nut	Bronze ASTM B62 C83600
O-Ring	EPDM
Stem	Brass ASTM B16 C36000
Stem	Stainless Steel AISI 304
Gasket	EPDM
Bonnet	Cast Iron ASTM A126 Class B
Washer	PTFE
Post Plate	Ductile Iron ASTM A536 Gr. 65-45-12
Operating Nut	Ductile Iron ASTM A536 Gr. 65-45-12
Bolts & Nuts	Stainless Steel

VALVE SIZE	A	B	C	D
4"	9"	15.19"	12"	9"
6"	10.5"	18.13"	12"	11"
8"	11.5"	22.44"	12"	13.5"

■ Mechanical Joint ends conform to ANSI / AWWA, A21, 11 / C11

DESCRIPTION **GATE VALVE NRS** MJ



COMPONENT	MATERIAL
Body	Cast Iron ASTM A126 Class B
Wedge	Cast Iron ASTM A126 Class B, EPDM Coated
Wedge Nut	Bronze ASTM B62 C83600
O-Ring	EPDM
Stem	Brass ASTM B16 C36000
Stem	Stainless Steel AISI 304
Gasket	EPDM
Bonnet	Cast Iron ASTM A126 Class B
Washer	PTFE
Post Plate	Ductile Iron ASTM A536 Gr. 65-45-12
Operating Nut	Ductile Iron ASTM A536 Gr. 65-45-12
Bolts & Nuts	Stainless Steel

VALVE SIZE	A	B	C	D
4"	11"	9"	12"	9.13"
6"	12"	11"	12"	11.13"
8"	12.5"	13.5"	12"	13.63"
10"	14.25"	16"	12"	15.88"